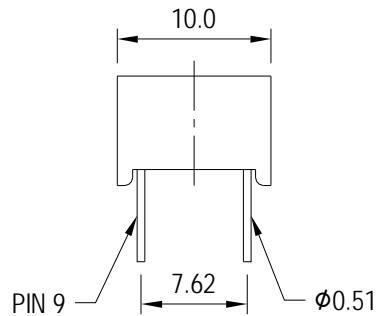
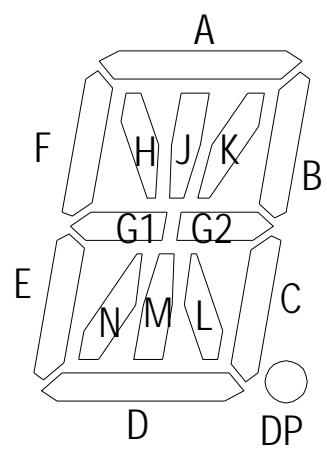
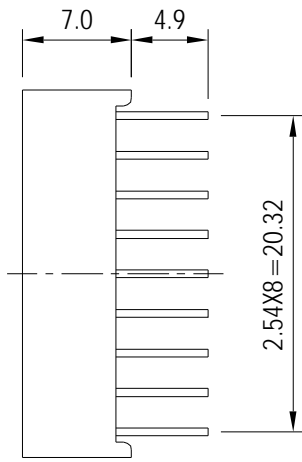
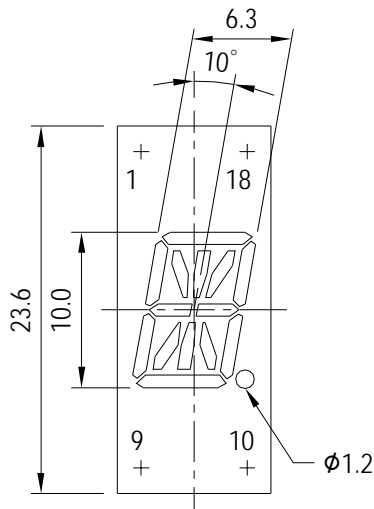


# JOINSCAN LEDs

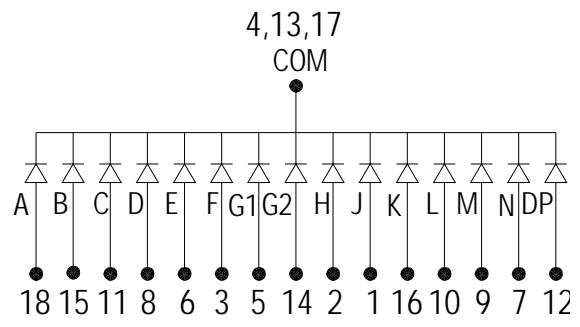
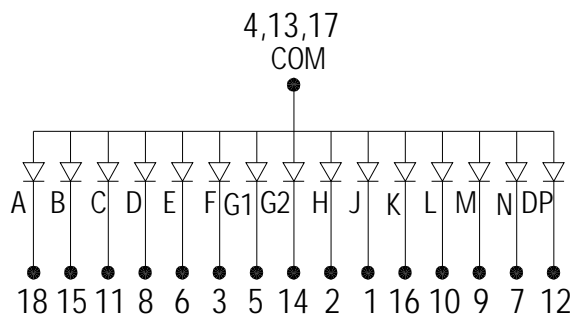
S.39K 0.39 INCH ( 10.0mm ) SINGLE DIGIT ALPHABET TYPE 23.6 X 10.0 X 7.0mm



UNIT : mm  
TOLERANCE : ±0.2mm

## A. A391K SERIES

## B. C391K SERIES



PIN FUNCTION	COMMON ANODE			COMMON CATHODE			WAVE LENGTH (nm)	IR MAX (uA) VR=5V	VF (V) IF=20mA	LUMINOUS INTENSITY IF=20mA
	A	C	E	B	D	F				
Emitting COLOR	model no.	model no.	model no.	model no.	model no.	model no.				
GaP RED	A391KH			C391KH			695	100	2.2	0.6mcd
GaAsP ORANGE RED	A391KO			C391KO			635	100	2.0	4.0mcd
GaP GREEN	A391KG			C391KG			570	100	2.2	4.5mcd
Gap Yellow	A391KY			C391KY			600	100	2.2	4.0mcd
GaAlAs SUPER RED	A391KRS			C391KRS			650	100	1.8	8.0mcd
GaAlAs ULTRA RED										
GaAlAs YELLOW GREEN										
Sic BLUE	A391KSF			C391KSF			465±5	100	3.6	10mcd
ZnSe WHITE										

Model No. -BW BLACK SURFACE WHITE SEGMENT  
-BR BLACK SURFACE RED SEGMENT  
-GW GRAY SURFACE WHITE SEGMENT

- Remark :
1. Typical forward current 10-20mA , MAXimum forward current 25mA
  2. Solder Temperature 1.6mm Below Seating plane less 5 seconds at 260°C +5°C -30°C
  3. Peak Forward current Per Dice , Duty cycle 1/10 , 10KHZ , MAXimum 120mA
  4. Operating Temperature From -25°C to 85°C
  5. RoHS COMPLIANT

REV : C